

J-1175

JAW CRUSHER



SPECIFICATION:

Inlet Opening:	1070mm x 760mm (42" x 30")
Net Engine Power:	Tier 3 / Stage IIIA: Caterpillar C9 Acert 261kW (350hp) Tier 4F: Scania DC09 257kW (345hp) Stage V: Scania DC09 257kW (345hp)
Portability:	Tracked
Operating Weight:	51,300kg (113,096lbs) (without by-pass conveyor and magnet options)

STRONG **HERITAGE**, STRONG **FUTURE**

 **FINLAY**[®]
A TEREX BRAND

SPECIFICATION

HOPPER / FEEDER

Hopper capacity: 9m³ (11.7yd³)

Feed height VGF: 3.98m (12' 11")

Feed height Prescreen: 4.12m (13' 6")

Material: 12mm (1/2") wear resistant steel

Feed width at rear VGF: 2.67m (8' 9")

Feed width at rear Prescreen: 2.65m (8' 8")

Locking mechanism: manual

Hydraulically folding sides and rear

Vibrating Grizzly feeder (VGF): 1.05m wide x 4.25m long

VGF grizzly aperture: 75mm (Options 50mm/100mm/125mm)

VGF wire mesh aperture: 38mm (Other options available upon request)

VGF Speed range: variable, 450-850 rpm

Pan Feeder Speed range: variable, 450-850 rpm

Optional Hopper extensions - 11m³ (14.4yd³)

JAW CHAMBER

Terex JW42 Chamber single toggle jaw crusher

Inlet width: 1070mm (42")

Inlet gape: 760mm (30")

Under jaw clearance: 460mm nominal

Drive arrangement: Hydrostatic

Maximum Closed Side settings: 145mm (5 3/4") (subject to toggle selection)

Minimum Closed Side Settings (CSS): 45mm (1 3/4") Demolition and Recycle applications. 75mm (3") 'Hard-Rock' Quarry application, 60mm (2 1/2") 'Soft-Rock' Quarry application

Reverse action for clearing blockages

Full hydraulic closed side setting adjust

Standard Liner Profile: S-Tooth (18% Manganese)

MAIN CONVEYOR

Belt Width: 1000mm (40")

Belt Spec: Plain

Working Angle: 22°

Speed: 100 m/min nominal

Discharge Height: 3.6m (11' 10") with standard conveyor

Optional extended conveyor discharge height: 4m (13' 2"), incorporates folding head section for transport

Hydraulic raise/lower of head section for service access

Hydraulic raise/lower of main conveyor for service access

Impact bars and wear resistant liners at feed point

High spec scraper at head drum



Hopper & Feeder



Jaw Chamber



Main Conveyor



Main Conveyor

MAIN CONVEYOR continued

Tail section raises hydraulically to increase clearance when tracking

Dust suppression: fitted with hose and spraybars as standard (no pump supplied)

Stockpile capacity: 69.4m³ (90.8yd³) @ 40°

Optional Extended Stockpile Capacity: 95.2m³ (124.5yd³) @ 40°

POWERPACK

Tier 3 / Stage IIIA: Caterpillar C9 Acert

Engine Power: 261kW (350hp)

Engine Speed: 1900 rpm

Tier 4F: Scania DC09

Engine Power: 257kW (345hp)

Engine Speed: 1900 rpm

Stage V: Scania DC09

Engine Power: 257kW (345hp)

Engine Speed: 1900 rpm

TANK CAPACITIES

Hydraulic Tank: 730 litres / 160 UK gal / 192 US gal

Fuel Tank: 430 litres / 95 UK gal / 114 US gal

Urea Tank: 60 litres / 13.2 UK gal / 16 US gal

BY-PASS CONVEYOR (OPTIONAL)

Belt Width: 650mm (26")

Belt Spec: Plain

Working Angle: 22°

Speed: (varies dependant upon machine configuration)

Universal mounting to left or right hand side- (Specify at time of order)

Hydraulically folds for transport

Standard Discharge Height: 2.1m (7')

Stockpile capacity: 13.8m³ (18yd³) @ 40°

Optional extended discharge height: 2.9m (9' 6")

Extended Stockpile capacity: 36.3m³ (47.5yd³) @ 40°

UNDERCARRIAGE

Bolt on tracks

Shoe Width: 500mm (20")

Sprocket Centres: 3.78m (12' 5")

Two Speed Tracking with 'soft start'

Speed: 1.6 km/h (Maximum Speed)

Gradeability: 25°

TOOL BOX

Mounted lockable toolbox

Tool Kit and flogging spanners

Grease gun

Manuals



CAT Engine



Scania Engine



Bypass Conveyor (Optional)



Tool Box

CHUTES

Heavy duty inlet chute with bolt-up construction, and liner plates

By-pass chute with selectable discharge flop gate, to either by-pass conveyor or main conveyor

CONTROL SYSTEM

Advanced CANBUS compliant system Large display screen (IP67 Rated)

Five simple operating modes with menu driven graphic user interface-

- Track mode: For moving machine
- Manual mode: For manually starting machine
- Automatic mode: For automatically starting the machine in predetermined sequence
- Configuration mode: For testing/setting individual components
- Language selection: For setting languages

Choice of preset parameters to suit crushing applications

- Hard Rock
- Soft Rock
- Demolition and Recycle

User friendly incremental selection of feeder and crusher speed enable the operator to achieve the optimal throughput

Detachable doglead control for tracking

Radio remote control (optional)

Integrated machine and engine control panel

Lockable compartment

Auto regulating feeder selectable for improved throughput control

MAGNETIC SEPARATOR (OPTIONAL)

Suspended self cleaning crossbelt overband magnet

Belt Width: 750mm (30")

Belt Spec: Cleated

Belt Speed: Variable

PLATFORMS

Catwalk access on both sides of the machine with access to both sides of the powerunit

Compact folding for transport

REMOTE CONTROL UNIT (OPTIONAL)

Full function radio remote unit

Machine can be switched from crushing mode into track mode, moved and switched back to operating mode from remote control unit

Feeder stop / start



Control System



Magnet Separator



Remote Control Unit (Optional)

STANDARD FEATURES

ENGINE:

Tier 3 / Stage IIIA : Caterpillar C9 Tier 3 ACERT. 261 kW (350hp)

Tier 4 F: Scania DC09 257kW (345hp)

Stage V: Scania DC09 257kW (345hp)

JAW CHAMBER:

Terex 1070 x 762mm (42" x 30") single toggle jaw crusher c/w full hydraulic closed side setting adjustment

Hydrostatic drive

Reversible operation for clearing blockages

S tooth liners - 18% Manganese as Standard

Standard toggle setting 590mm

HOPPER / FEEDER:

Hydraulically folding hopper sides

Integrated pan and feeder - cassette is 75mm spacing as standard

Selectable discharge to by-pass conveyor or main conveyor

Mesh aperture on grizzly feeder: 38mm

MAIN CONVEYOR:

Belt width: 1000mm (40") fitted with impact bars at feed point

AUXILIARY CONVEYORS:

Piped for overband magnet

CLIMATE SPEC:

Standard oils - (Recommended for ambient temperatures between -5 to +30°C)

DUST SUPPRESSION:

Piped for dust suppression complete with spraybars

ELECTRICAL:

Emergency stops

Hand held track control set with connection lead

T-Link Telemetry System fitted c/w 3 years data subscription

GENERAL:

Safety guards in compliance with machinery directive

Separate central operators panel

Two speed tracks

OPTIONAL EQUIPMENT

Re-bar deflector plate - fits underneath jaw

Please contact the sales department for jaw liner options (Depending on application)

Toggle options: 570mm for larger closed side setting

610mm to maintain minimum recommended closed side setting

Extended Hopper Flares

Optional spacing on grizzly for integrated pan and feeder: 50mm/100mm/125mm - please specify below

Independent pre-screen * c/w extended bypass conveyor with 650mm wide plain belt, 75mm cassette spacing and 38mm mesh as standard - other cassette and mesh apertures available upon request (Requires 1 aux drive)

Belt weigher

Hydraulic raise/lower of main conveyor

Dust cover on discharge conveyor

Rip stop belt option

Longer Main Conveyor c/w wire ropes to provide discharge height of 4m

Bypass conveyor with 650mm wide plain belt

Extended bypass conveyor with 650mm wide plain belt

Singlepole over band magnet (c/w stainless steel skirting & stainless steel discharge chute)

Twinpole overband magnet (skirting & chute as above)

Hot climate lubrication kit (Recommended for ambient temperatures between +15 to +50°C)

Cold climate lubrication kit (Recommended for ambient temperatures between -20 to +30°C)

Hot climate cooler pack c/w hot climate lubrication kit (Recommended for ambient temperatures >35°C). (Requires 1 aux drive)*

Hydraulically driven water pump (Requires 1 aux drive) *

Radio remote System

Control panel positive air pressurization

Lighting mast

1 nr stockpiler drive (Requires 1 aux drive) *

Special paint colour (if different from Finlay Orange RAL 2002) . RAL must be specified on order

Jaw Chamber

- ▶ Terex JW42 Chamber single toggle jaw crusher
- ▶ Inlet width: 1070mm (42")
- ▶ Inlet gape: 760mm (30")
- ▶ Under jaw clearance: 460mm nominal
- ▶ Drive arrangement: Hydrostatic
- ▶ Maximum Closed Side Settings: 145mm (5 3/4") (subject to toggle selection)
- ▶ Minimum Closed Side Settings (CSS): 45mm (1 3/4") Demolition and Recycle applications. 75mm (3")
- ▶ 'Hard-Rock' Quarry application, 60mm (2 1/2") 'Soft-Rock' Quarry application
- ▶ Reverse action for clearing blockages
- ▶ Full hydraulic closed side setting adjust
- ▶ Standard Liner Profile: S-Tooth (18% Manganese)

Main Conveyor

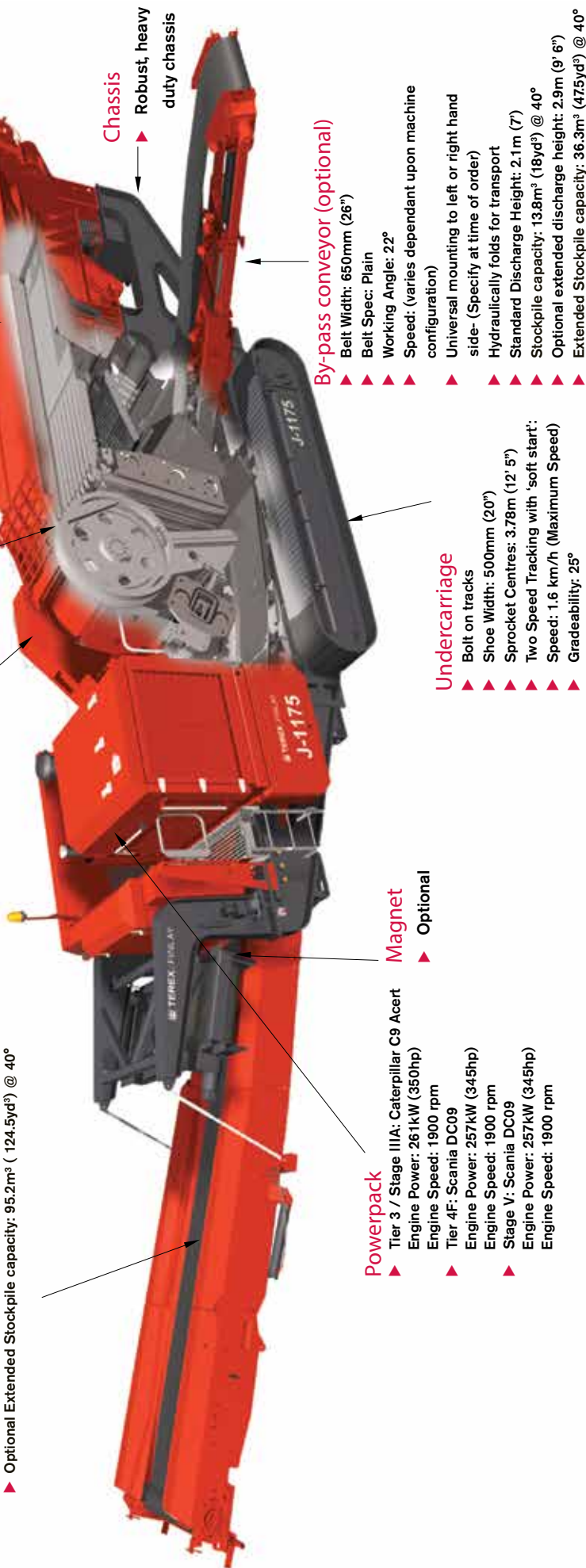
- ▶ Belt Width: 1000mm (40")
- ▶ Belt Spec: Plain
- ▶ Working Angle: 22°
- ▶ Speed: 100 m/min nominal
- ▶ Discharge Height: 3.6m (11' 10") with standard conveyor
- ▶ Optional extended conveyor discharge height: 4m (13' 2"), incorporates folding head section for transport
- ▶ Hydraulic raise/lower of head section for service access
- ▶ Impact bars and wear resistant liners at feed point
- ▶ High spec scraper at head drum
- ▶ Tail section raises hydraulically to increase clearance when tracking
- ▶ Dust suppression: fitted with hose and spraybars as standard (no pump supplied)
- ▶ Stockpile capacity: 69.4m³ (90.8yd³) @ 40°
- ▶ Optional Extended Stockpile capacity: 95.2m³ (124.5yd³) @ 40°

Platforms

- ▶ Catwalk access on both sides of the machine with access to both sides of the powerunit
- ▶ Compact folding for transport

Hopper / Feeder

- ▶ Hopper capacity: 9m³ (11.7yd³)
- ▶ Feed height VGF: 3.98m (12' 11")
- ▶ Feed height Prescreen: 4.12m (13' 6")
- ▶ Material: 12mm (1/2") wear resistant steel
- ▶ Feed width at rear VGF: 2.67m (8' 9")
- ▶ Feed width at rear Prescreen: 2.65m (8' 8")
- ▶ Locking mechanism: manual
- ▶ Hydraulically folding sides and rear
- ▶ Vibrating Grizzly feeder (VGF): 1.05m wide x 4.25m long
- ▶ VGF grizzly aperture: 75mm (Options 50mm/100mm/125mm)
- ▶ VGF wire mesh aperture: 38mm (Other options available upon request)
- ▶ VGF Speed range: variable, 450-850 rpm
- ▶ Pan Feeder Speed range: variable, 450-850 rpm
- ▶ Optional Hopper extensions - 11m³ (14.4yd³)



By-pass conveyor (optional)

- ▶ Belt Width: 650mm (26")
- ▶ Belt Spec: Plain
- ▶ Working Angle: 22°
- ▶ Speed: (varies dependant upon machine configuration)
- ▶ Universal mounting to left or right hand side- (Specify at time of order)
- ▶ Hydraulically folds for transport
- ▶ Standard Discharge Height: 2.1m (7')
- ▶ Stockpile capacity: 13.8m³ (18yd³) @ 40°
- ▶ Optional extended discharge height: 2.9m (9' 6")
- ▶ Extended Stockpile capacity: 36.3m³ (47.5yd³) @ 40°

Undercarriage

- ▶ Bolt on tracks
- ▶ Shoe Width: 500mm (20")
- ▶ Sprocket Centres: 3.78m (12' 5")
- ▶ Two Speed Tracking with 'soft start':
- ▶ Speed: 1.6 km/h (Maximum Speed)
- ▶ Gradeability: 25°

Powerpack

- ▶ Tier 3 / Stage IIIA: Caterpillar C9 Acert Engine Power: 261kW (350hp) Engine Speed: 1900 rpm
- ▶ Tier 4F: Scania DC09 Engine Power: 257kW (345hp) Engine Speed: 1900 rpm
- ▶ Stage V: Scania DC09 Engine Power: 257kW (345hp) Engine Speed: 1900 rpm

Magnet

- ▶ Optional

TRANSPORT DIMENSIONS



* VGF Machine
3.58m (11' 9") Prescreen Machine

WORKING DIMENSIONS



MACHINE WEIGHT: 51,300kg (113,096lbs)
(without by-pass conveyor and magnet options)

53,500kg (117,946lbs)
(with by-pass conveyor and magnet options)

For further information on specific machine weight configurations please consult Terex Finlay

