

674

INCLINED SCREEN



Screen Size: 3660mm x 1520mm (12' x 5')

Net Engine Power: Tier 3/Stage IIIA:

Tier 4/Stage IV:

Stage V:

Portability:

Tracked

Operating Weight: 28,500kg (62,832lbs)

Caterpillar C4.4 77kW (102hp)

Caterpillar C4.4 82kW (110hp)

Caterpillar C4.4 102kW (137hp)

STRONG **HERITAGE**, STRONG **FUTURE**

 **FINLAY**®
A TEREX BRAND

SPECIFICATION

HOPPER / FEEDER

Hopper Capacity: 8.m³ (10.5yd³)

Feed height: 3.52m (11' 7")

Feed in width: 4.77m (15' 8") (grid wing plates)

Grid aperture: 100mm (4")

Drive: Hydraulic variable speed drive via high torque gearbox

Beltfeeder belt width: 1.05m (3' 5")

Belt Spec: Plain 3 ply, EP400,

Speed: variable, 0-16 mpm (0- 53' per min)

Wide mouth opening

MAIN CONVEYOR

Drive: Hydraulic drive via 500cc high torque motor

Belt width: 1000 mm (40")

Belt spec: Plain 3 ply belt, EP400

Working Angle: 21-28°

Belt Speed: 92 mpm (302' per minute)

Steel skirted full length of conveyor

SCREEN BOX

3.66m x 1.52m (12' x 5') top & middle deck screen and 3.00m x 1.52m (10' x 5') bottom deck screen

Wedge side tensioned Top and Middle Deck mesh

Hydraulic end tensioned bottom deck

Drive: hydraulic with heavy duty bearing

Screen Angle: 18° - 37°, hydraulic adjust

Screen Speed: 1120 rpm (Max)

Screen stroke standard: 6.5mm (1/4")

Abrasion resistant material impact plate

Galvanised access catwalks on both sides and top end of screen

Total screening area: 15.7 m² (170 ft²)



Hopper Feeder



Hopper Feeder



Heavy Duty Bearing



Spreader Plate

SIDE CONVEYORS

Drive: Hydraulic variable speed drive via 400 cc high torque motor

Belt width: 650 mm (26")

Belt spec: Chevron, 3 ply 3+1.5, EP315,

Working Angle: 24°

Speed: Variable Speed, 0-60mpm (0-197' per min)

Hydraulic Folding

Discharge Height: 4.76m (15' 7")

Stockpile capacity: 147m³ (192yd³)

FINES CONVEYOR

Drive: Hydraulic variable speed drive via 630cc high torque motor

Belt width: 1.2m (48")

Belt spec: Plain, 3 ply, EP400

Working Angle: 14°-33°

Rosta scraper on head drum

Speed: fixed speed, 92mpm (302' per min)

Standard Discharge Height: 3.74m (12' 3")

Stockpile capacity: 73m³ (95yd³)

OVERSIZE PLUS CONVEYOR

Drive: Hydraulic variable speed drive via 500cc high torque motor

Belt width: 500mm (20")

Belt spec: Chevron, 3 ply, EP 315,

Working Angle: 20°-23°

Speed: variable speed, 120 mpm (400' per min)

Discharge Height: variable 4.47m (max)

Operating angle variable between 40° and 60°

Stockpile capacity: 123m³ (162yd³)

Oversize Fed Chute from Top Deck



New Generation Folding Mechanism



Main Conveyor



Fines Conveyor



Middle Grade Conveyor



Oversize Minus

POWERUNIT AND HYDRAULICS

Tier 3 / Stage IIIA: Caterpillar 4.4
 Engine Power: 77kW (102hp)
 Engine Speed: 1800 rpm

Tier 4F/ Stage IV: Caterpillar 4.4
 Engine Power: 82kW (110hp)
 Engine Speed: 1800 rpm

Stage V: Caterpillar 4.4
 Engine Power: 102kW (137hp)
 Engine Speed: 1800 rpm

Pump 1: Triple 61cc/41cc/41cc

The first section drives fines conveyor and screen

The second section drives either the (left) track or the belt feeder and
 oversize plus conveyor

The third section drives either the (right) track or operates the
 vibrating or tipping grid

Pump 2: Tandem 33cc/33cc

The first section drives the main conveyor & transfer conveyor

The second section operates the middle grade & "oversize minus"
 conveyor

TANK CAPACITIES

Hydraulic Tank: 450 litres / 99 UK gal / 119 US gal

Fuel Tank: 336 litres / 74 UK gal / 88 US gal)

UNDERCARRIAGE

Shoe Width: 400 mm (16")

Sprocket Centres: 2.92m (9' 7")

Speed: 0.8km/h

Gradeability: 25.5°

Raking Angle: 8°



Pump 1: Triple 61cc/41cc/41cc



Undercarriage

STANDARD FEATURES

ENGINE:

Tier 3 / Stage IIIA Caterpillar C4.4 - 4 cylinder diesel engine developing 77kw (102hp) @ 1800 rpm

Stage V Caterpillar C4.4 102kW (137hp)

FEEDER:

Hopper Capacity: 8m³ (10.5yd³)

Hopper feed length: 4.25m (14ft)

Belt width: 1.05m (42") variable speed belt feeder

SCREENBOX:

3.66m x 1.52m (12' x 5') top & middle deck screen and 3.00m x 1.52m (10' x 5') bottom deck screen

No mesh or speedharps included for any deck (but all mesh fitting parts included as standard)

Quick wedge tensioning - top and middle deck

Hydraulic tensioning (bottom deck screen mesh)

MAIN CONVEYOR:

Belt Width: 1000mm (40") c/w skirting

Anti-rollback plates (2nr)

OVERSIZE PLUS:

Belt Width: 500mm (20") chevron belt

SIDE CONVEYORS:

Belt Width: 650mm (26") on both side conveyors

FINES CONVEYOR:

Belt Width: 1.2m (48") plain belt

ELECTRICAL:

Emergency stops

Control operation of tracks via hand-held set

T-Link Telemetry System fitted c/w 3 years data

GENERAL:

Safety guards in compliance with machinery directive

Low Level Greasing

OPTIONAL EQUIPMENT

Tier 3 / Stage IIIA Caterpillar C4.4 - 4 cylinder diesel engine developing 90kw @1800 rpm

Tier 4F / Stage IV - Caterpillar C4.4 - 4 cylinder diesel engine developing 82kW (110hp) @ 1800 RPM

100mm Double deck vibrating grid c/w abrasion resistant plate on wear surface of T Bars top deck and mesh in bottom deck (includes Hopper inlet chute from crusher)

Remote control hydraulic tipping reject grid c/w grouser bars 3.65m x 100mm spacing (12' 0" x 4") and hopper inlet chute from crusher

Feeder Landing Feet

No grid but hopper deadplate fitted

10mm thick bolt in wear resistant liners in hopper

Screenbox Rotation Reversal control

Top deck mesh

Middle deck mesh

Bottom deck mesh/ speedharp

Main Conveyor Spreader plate lined wear resistant steel

Hydraulic raise of Main Conveyor head-section (For improved mesh access)

Aluminium Rapid-Fit dust covers on main and fines belt

Dust suppression system on fines belt. Does not include waterpump

Radio Remote control of tracks

Screener expansion kit, contains all hardware additional solenoid and 2x cameras

Working lights on powerunit & main conveyor

68 grade hydraulic oil

1nr Standard stockpiler drive - Approx 30 Litres/min (only available when no vibrating grid fitted)

OR Quad Pump option for 1nr dedicated Stockpiler Drive - Approx 55 lpm

Special paint colour (if different from Finlay Orange RAL 2002). RAL must be specified on order

Oversize Plus Conveyors

- ▶ Belt width: 500 mm (20")
- ▶ Belt spec: Chevron, 3 ply, EP 315,
- ▶ Working Angle: variable 20°-23°
- ▶ Discharge Height: variable 4.47m (max)
- ▶ Operating angle variable between 40° and 60°
- ▶ Stockpile capacity: 123m³ (1627yd³)

Main Conveyor

- ▶ Belt width: 1000 mm (40")
- ▶ Belt spec: Plain 3 ply belt, EP400
- ▶ Working Angle: 21-28°
- ▶ Belt Speed: 92 mpm (302' per minute)
- ▶ Steel skirted full length of conveyor

Fines conveyor

- ▶ Drive: Hydraulic variable speed drive via high torque 630cc motor
- ▶ Belt width: 1.2m (48")
- ▶ Belt spec: Plain, 3 ply, EP400
- ▶ Working Angle: 14°-33°
- ▶ Rosta scraper on head drum
- ▶ Speed: fixed speed, 92mpm (302' per min)
- ▶ Standard Discharge Height: 3.74m (12' 3")
- ▶ Stockpile capacity: 73m³ (95yd³)

Hopper / Feeder

- ▶ Hopper Capacity: 8m³ (10.5yd³)
- ▶ Feed height: 3.52m (11' 7")
- ▶ Drive: Hydraulic variable speed drive via high torque gearbox
- ▶ Beltfeeder belt width: 1.05m (3' 5")
- ▶ Belt Spec: Plain 3 ply, EP400,
- ▶ Speed: variable, 0-16 mpm (0- 53' per min)

Power unit

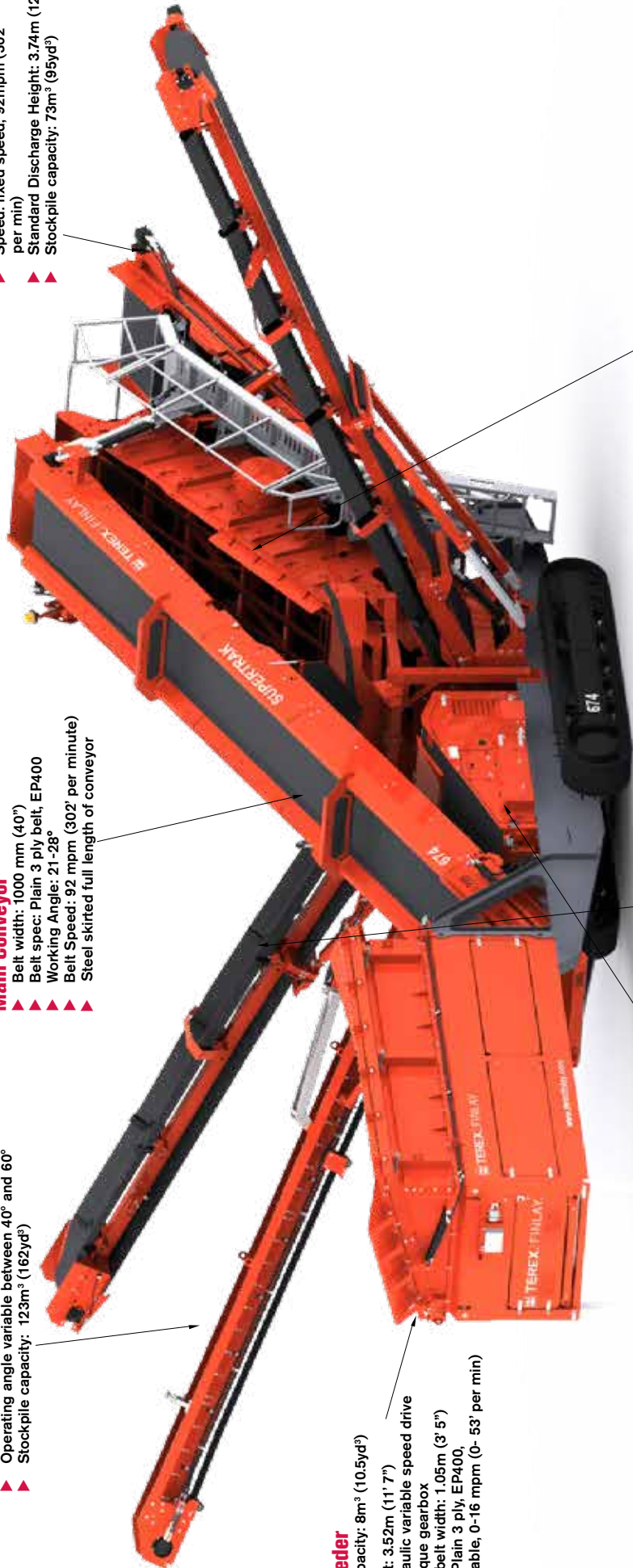
- ▶ Tier 3 / Stage IIIA: Caterpillar 4.4
- ▶ Engine Power: 77kW (102hp)
- ▶ Engine Speed: 1800 rpm
- ▶ Tier 4F/ Stage IV: Caterpillar 4.4
- ▶ Engine Power: 82kW (110hp)
- ▶ Engine Speed: 1800 rpm
- ▶ Stage V: Caterpillar 4.4
- ▶ Engine Power: 102kW (137hp)
- ▶ Engine Speed: 1800 rpm

SIDE CONVEYORS

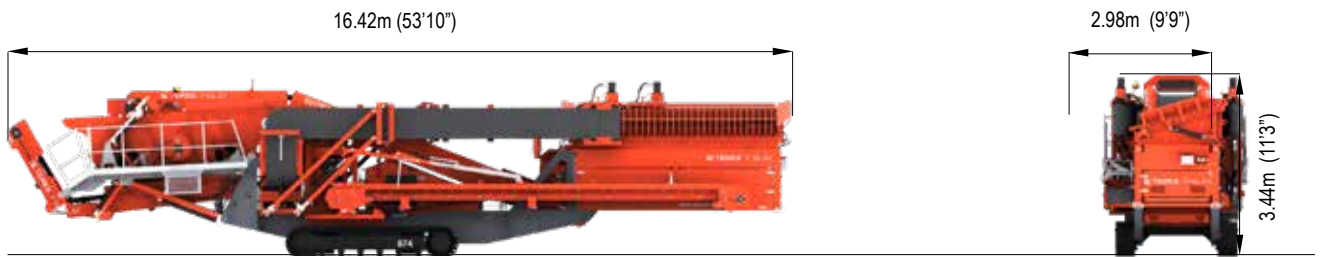
- ▶ Belt width: 650 mm
- ▶ Belt spec: Chevron, 3 ply 3+1.5, EP315
- ▶ Working Angle: 24°
- ▶ Speed: 60mpm (0-397' per min)
- ▶ Discharge Height: 4.76m (15' 7")
- ▶ Stockpile capacity: 147m³ (192yd³)

Screenbox

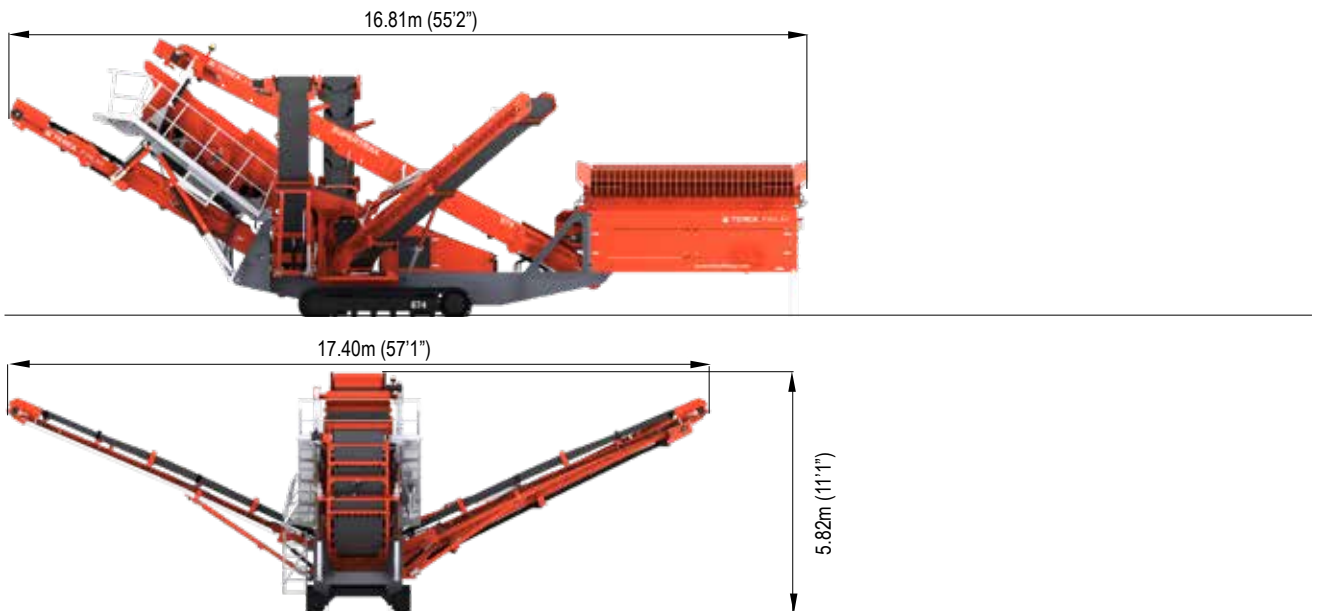
- ▶ 3.66m x 1.52m (12' x 5') top & middle deck screen and 3.00m x 1.52m (10' x 5') bottom deck screen
- ▶ Drive: hydraulic with heavy duty bearing
- ▶ Screen Angle: 18° - 37°, hydraulic adjust
- ▶ Screen Speed: 1120 rpm
- ▶ Screen stroke Min/Max range: 6.5 -9.6 mm
- ▶ Screen stroke standard: 6.5mm (1/4")
- ▶ Total screening area: 15.7 m² (170 sq. ft)



TRANSPORT DIMENSIONS



WORKING DIMENSIONS



MACHINE WEIGHT: 28,500kg (62,832lbs)

