

883+ TRIPLE SHAFT

HEAVY DUTY SCREEN



SPECIFICATION:

Screen Size:	Top deck:	4800mm x 1530mm (16' x 5')
	Bottom deck:	4800mm x 1530mm (16' x 5')
Net Engine Power:	Tier 3 Equivalent:	Caterpillar C4.4 97kW (130hp)
	Tier 4F / Stage IV:	Caterpillar C4.4 93kW (125hp)
	Stage V:	Caterpillar C4.4 102kW (137hp)
Portability:	Track Mounted	
Operating Weight:	34,000kg (74,957lbs)	

STRONG **HERITAGE**, STRONG **FUTURE**

 **FINLAY**®
A TEREX BRAND

SPECIFICATION

HOPPER / FEEDER

Hopper Capacity: 7m³ (9.16yd³)

Feed height: 3.69m (12' 1")

Feed in width: 2.6m (8' 7")

Drive: Hydraulic variable speed drive via high torque gearbox

Apron feeder dimensions: 1m wide x 3.81m (40" x 12' 6")

Speed: variable, 0 - 25mpm (83ft/min)

Abrasion Resistant steel pan apron feeder mounted with wide mouth opening



Hopper / Feeder

SCREEN BOX

Top deck: 4.8m x 1.53m (16' x 5')

Bottom deck: 4.8m x 1.53m (16' x 5')

Tensioning top deck: side

Tensioning bottom deck: end

Drive: hydraulic with heavy duty bearing

Catwalks: Galvanised access catwalk on both sides of screen

Screen Angle: Fixed 10°

Screen Speed: 875 rpm

Screen stroke Min/Max range: 14-18mm (9/16" - 11/16")

Screen stroke standard: 14mm (9/16")

Screen box discharge end raises hydraulically 500mm to facilitate mesh changing

Total screening area: 14.4m² (155ft²)



Screenbox

OVERSIZE CONVEYOR

Belt width: 1.2m (48")

Belt spec: 3 ply Belt, EP 400

Working Angle: 18° - 24°, hydraulic adjust

Speed: Variable speed, 53 m/min max belt speed

Impact bars 2/3 Length of Conveyor (Optional full length)

Steel skirted full length of conveyor

Discharge Height: 3.6m (11' 10")

Stockpile capacity: 70m³ (91yd³) max



Oversize Conveyor

TRANSFER CONVEYOR

Belt width: 1.2m (48")

Belt spec: 3 ply Belt, EP 400

Belt Speed: 77 m/min (253 ft/min)

Conveyor fully skirted



Transfer Conveyor

FINES CONVEYOR

Belt width: 900mm (36")

Belt spec: plain belt

Working Angle: 24° - 28° max

Rosta scraper on head drum

Speed: variable speed, 127 m/min (417 ft/min) max belt speed

Standard Discharge Height: 4m (13' 1")

Stockpile capacity: 95m³ (124yd³) max



Fines Conveyor

FINES CONVEYOR

Optional telescopic section

Extended Discharge Height: 4.8m (15' 9")

Stockpile capacity: 165m³ (216yd³)

MIDGRADE CONVEYOR

Belt width: 800mm (32")

Belt spec: chevron belt

Working Angle: 22° - 26° max

Speed: variable speed 127 m/min (417 ft/min) max belt speed

Standard Discharge Height: 3.4m (11' 2")

Stockpile capacity: 58m³ (76yd³)max

Optional telescopic section

Extended Discharge Height: 4.1m (13' 45")

Stockpile capacity: 102.5m³ (134.1yd³)

POWERUNIT AND HYDRAULICS

Tier 3 Equivalent: Caterpillar C4.4

Engine Power: 97kW (130hp)

Engine Speed: 1800 rpm

Tier 4F / Stage IV: Caterpillar C4.4

Engine Power: 93kW (125hp)

Engine Speed: 1800 rpm

Stage V: Caterpillar C4.4

Engine Power: 102kW (137hp)

Engine Speed: 2200rpm

Pump 1: Quad 63/41/41/34cc (Tier 3 & Tier 4)

Driving: Screen, fines side, pan feeder, tracks and transfer conveyor

Pump 2: 34/34cc (Tier 3 & Tier 4)

Driving: oversize and middlegrade conveyor or stockpile and middlegrade conveyor & oversize conveyor combined

TANK CAPACITIES

Hydraulic Tank Capacity: 450 litres / 98 UK gal / 119 US gal

Fuel Tank Capacity: 336 litres / 73 UK gal / 88 US gal

Urea Tank Capacity: 19 litres / 4.2 UK gal / 5 US gal

UNDERCARRIAGE

Shoe Width: 500mm (19.7")

Sprocket Centres: 3.8m (12' 6")

Speed: 0.6 - 1.4kph

Gradeability: 28°

Raking Angle: 12° min

Dual speed tracks as standard



Midgrade Conveyor



Easy Service Access



Undercarriage



Catwalks

ELECTRICAL SPECIFICATION (DUAL POWER)

2 x 37kW IE3 electric motors c/w hydraulic gear pumps and electrical control panel allowing machine to run in either Diesel or Electric mode. Suitable for voltage supplies varying from 380V – 440V at 50Hz frequency.

Electric pump 1: Quad 46/46/33/33cc

Electric pump 2: Quad 46/46/33/33cc

STANDARD FEATURES

ENGINE:

Tier 3 Equivalent Caterpillar C4.4 - 4 cylinder diesel engine developing 97kW (130hp) 1800 RPM

Stage V: Caterpillar C4.4 102kW (137hp) at 2200rpm

FEEDER:

Abbrasion Resistant plate steel pan apron feeder with heavy duty chain drive

Fixed Hopper

Remote start stop of pan feeder

SCREENBOX:

Modular configuration triple shaft screen box. Fixed working angle 10°

Hydraulic raise for mesh changing (500mm)

Both top and bottom decks 4.8m x 1.5m (16' x 5')

No mesh included for any deck (but all mesh fitting parts included as standard)

OVERSIZE CONVEYOR:

Belt Width: 1.2m (48") chevron belt & skirting

MIDDLEGRADE CONVEYOR:

Belt Width: 800mm(32") chevron belt with variable speed & thumper roller

FINES CONVEYOR:

Belt Width: 900mm (36") Plain belt with variable speed and belt scraper

Separate hydraulic drive on all conveyors

ELECTRICAL:

Emergency Stops (4 nr)

Control operation of tracks via hand held-set with 5m connection lead

T-Link Telemetry System fitted c/w 7 years data subscription

GENERAL:

Safety guards in compliance with machinery directive

Low level greasing



Dual Power System

OPTIONAL EQUIPMENT

Dual Power – 2 x37kW IE3 electric motors c/w hydraulic gear pumps and electrical control panel allowing machine to run in either Diesel or Electric mode ** **STD voltage supply: 380V - 440v @ 50Hz. (Contact the factory for availability, leadtime and, if any local requirements are different from standard offering**

Tier 4F / Stage IV : Caterpillar C4.4 93kW (125hp) 1800 rpm

10mm Abrasion Resistant Plate lined hopper

Hydraulic driven cleaning brush for pan feeder

Tines in top deck (40/55/65/75mm) - Max. piece size not to exceed 400mm³, based on a Material density of 1,600kg/m³

Abbrasion Resistant Plate punch plate in top deck of screen (35/40/50/60/75/85/100/125/150mm) - Max. piece size not to exceed 500mm³, based on a Material density of 1,600kg/m³

Heavy duty Bofar bars in top deck (60/75/100/125/150mm) - Max. piece size not to exceed 500mm³, based on Material density the 1,600kg/m³

Punch plate bofar style (55/65/75/100mm) Max. piece size not to exceed 500mm³, based on Material density the 1,600kg/m³

Cascade fingers in bottom deck 16/20/25/30/35/40/45/50mm

Top deck mesh (20-150mm) - Max. piece size not to exceed 500mm³, based on Material density the 1,600kg/m³

Bottom deck mesh/ speedharp (10-60mm)

Hydraulic tensioning (bottom deck screen mesh)

Chain blanket for over the screenbox

Extended fines & middle grade conveyors

Impact bars full length of oversize conveyor

Magnetic Drive drum on Mid Grade Conveyor (Only Available on STD Conveyors and not Telescopic side conveyors)

Magnetic Drive drum on Fines Conveyor (Only Available on STD Conveyors and not Telescopic side conveyors)

Middle grade conveyor discharging on RHS of machine

Fines Conveyor discharging on LHS of machine

2 Way Split Version. Middle Grade conveyor removed and Oversize conveyor collecting of both screen decks.

Radio remote control of tracks

68 grade hydraulic oil

200mm increased ground clearance extension. Increases transport height to 3.7m

1 nr stockpiler drive (Note: Combines drive on middle-grade and oversize conveyor making them in series)

Special paint colour (if different from Finlay Orange RAL 2002) RAL must be specified on order

Hopper / Feeder

- ▶ Hopper Capacity: 7m³ (9.16yd³)
- ▶ Feed height: 3.69m (12' 1")
- ▶ Feed in width: 2.6m (8' 7")
- ▶ Drive: Hydraulic variable speed drive via high torque gearbox
- ▶ Apron feeder dimensions: 1m wide x 3.81m (40" x 12' 6")
- ▶ Speed: variable, 0 - 25mpm (83ft/min)
- ▶ Abrasion Resistant steel pan apron feeder mounted with wide mouth opening

Powerunit

- ▶ Tier 3 Equivalent: Caterpillar C4.4
Engine Power: 97kW (130hp)
Engine Speed: 1800 rpm
- ▶ Tier 4F / Stage IV : Caterpillar C4.4
Engine Power: 93kW (125hp)
Engine Speed: 1800 rpm
- ▶ Stage V: Caterpillar C4.4
Engine Power: 102kW (137hp)
Engine Speed: 2200 rpm

Screenbox

- ▶ High capacity triple shaft screen
- ▶ Top deck: 4.8m x 1.53m (16' x 5')
- ▶ Bottom deck: 4.8m x 1.53m (16' x 5')
- ▶ Tensioning top deck: side
- ▶ Tensioning bottom deck: end
- ▶ Drive: hydraulic with heavy duty bearing
- ▶ Catwalks: Galvanised access catwalk on both sides of screen
- ▶ Screen Angle: Fixed 10°
- ▶ Screen Speed: 875 rpm
- ▶ Screen stroke Min/Max range: 14-18mm (9/16" - 11/16")
- ▶ Screen stroke standard: 14mm (9/16")
- ▶ Screen box discharge end raises hydraulically 500mm to facilitate mesh changing
- ▶ Total screening area: 14.4m² (155ft²)

Midgrade Conveyor

- ▶ Belt width: 800mm (32")
- ▶ Belt spec: chevron belt
- ▶ Working Angle: 22° - 26° max
- ▶ Speed: variable speed 127m/min (417 ft/min) max belt speed
- ▶ Standard Discharge Height: 3.4m (11' 2") max
- ▶ Stockpile capacity: 58m³ (76yd³) max
- ▶ Optional telescopic section
- ▶ Extended Discharge Height: 4.1m (13' 45")
- ▶ Stockpile capacity: 102.5m³ (134.1yd³)

Fines conveyor

- ▶ Belt width: 900mm (36")
- ▶ Belt spec: plain belt
- ▶ Working Angle: 24° - 28°
- ▶ Rosta scraper on head drum
- ▶ Speed: variable speed, 127 m/min (417 ft/min) max belt speed
- ▶ Standard Discharge Height: 4m (13' 1") max
- ▶ Stockpile capacity: 95m³ (124yd³) max
- ▶ Optional telescopic section
- ▶ Extended Discharge Height: 4.8m (15' 9")
- ▶ Stockpile capacity: 165m³ (216yd³)

Undercarriage

- ▶ Shoe Width: 500mm (19.7")
- ▶ Sprocket Centres: 3.8m (12' 6")
- ▶ Speed: 0.6 - 1.4kph
- ▶ Gradeability: 28°
- ▶ Raking Angle: 12° min

Transfer conveyor

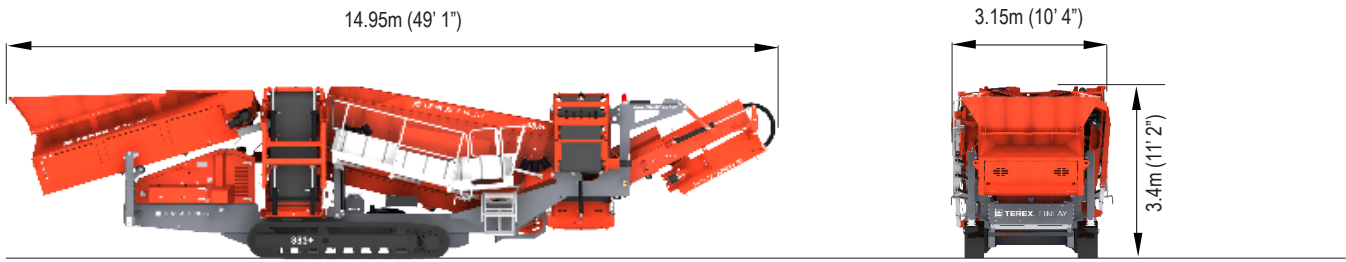
- ▶ Belt width: 1.2m (48")
- ▶ Belt spec: 3 ply Belt, EP 400
- ▶ Belt Speed: 77 m/min (253 ft/min)
- ▶ Conveyor fully skirted

Overize conveyor

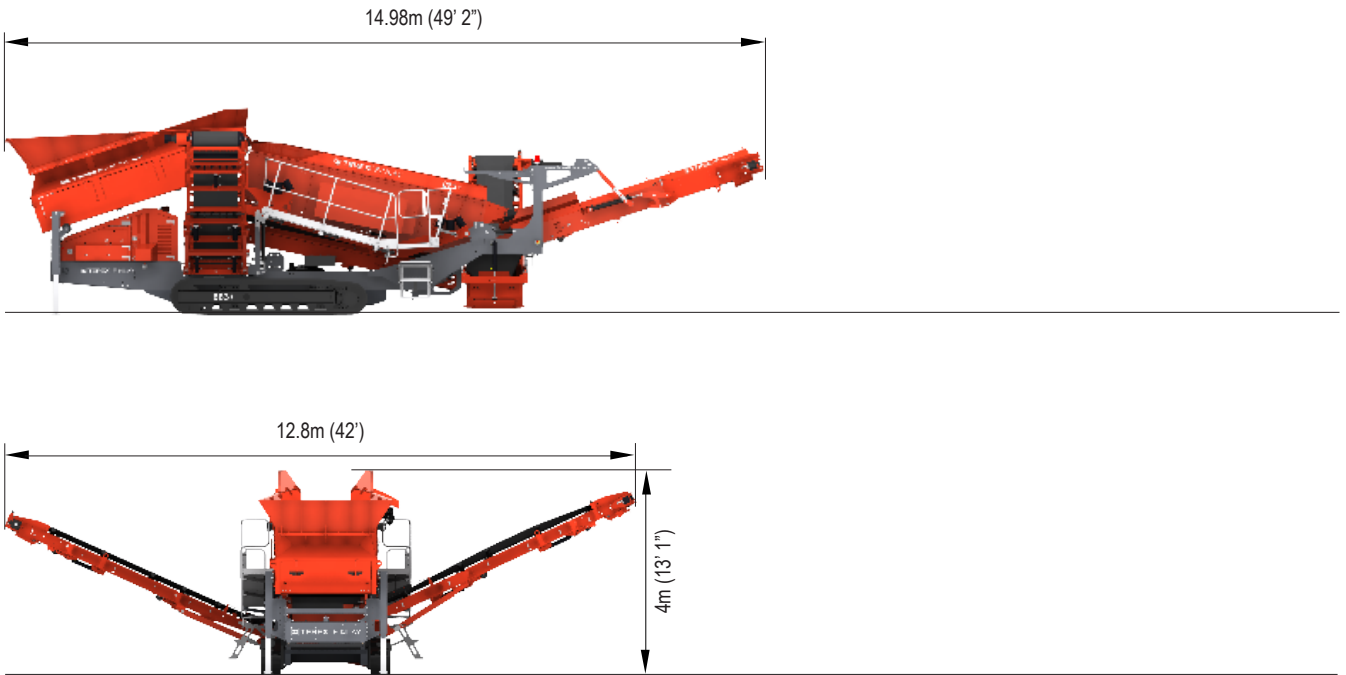
- ▶ Belt width: 1.2m (48")
- ▶ Belt spec: 3 ply Belt, EP 400
- ▶ Working Angle: 18° - 24°, hydraulic adjust
- ▶ Speed: Variable speed, 53 m/min max belt speed
- ▶ Steel skirted full length of conveyor
- ▶ Discharge Height: 3.6m (11' 10")
- ▶ Stockpile capacity: 70m³ (91yd³) max

883+

Transport Dimensions



Working Dimensions



MACHINE WEIGHT: 34,000kg (74,957lbs)

For further information on specific machine weight configurations please consult Terex Finlay